

Description

ICE-400 intercom stations are half-duplex 2-wire intercoms that are compatible with DXI SAB-400/401 station audio boards and DXL SCC-400/401 station control cards.

ICE-401 intercom stations are half-duplex 2-wire intercoms like the ICE-400 but with added support for an LED and/or other control functions. These stations are compatible with DXI SAB-401 station audio boards and DXL SCC-401 station control cards.

ICE-400/401 intercom stations are manufactured with vandal resistant 11-gauge stainless steel faceplates for installation in high security areas. They feature a microphone pre-amplifier that improves audio clarity and reduces channel crosstalk. Multiplexing circuitry allows both audio and switch data to be carried over a single shielded pair cable (for reduced station installation cost).

Stations for both 2-gang and 3-gang electrical boxes can be ordered with a wide range of standard features. Choices include 0, 1, or 2 vandal resistant switches, an LED indicator, and a selection of laser engravings. Intercom stations that require non-standard features are also available by custom order.

Features

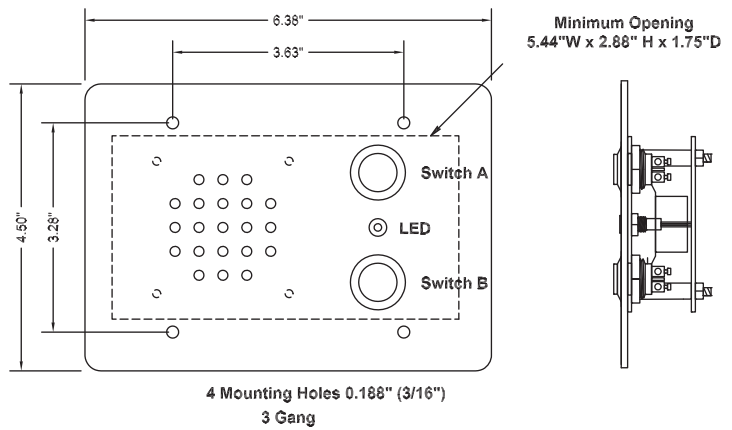
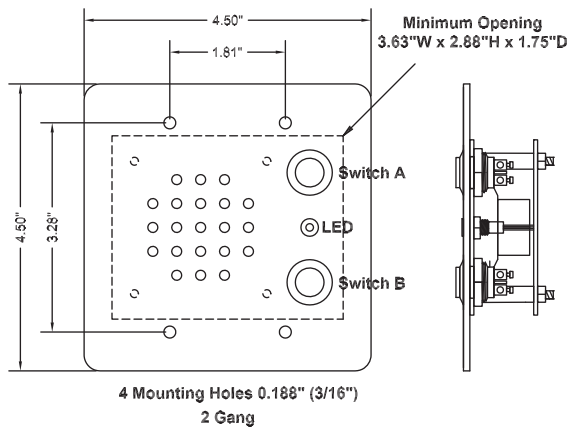
- half duplex audio channel to the intercom master
- steel offset grille baffle plate protects the speaker from physical damage
- 11 ga heavy-duty brushed stainless steel faceplate
- 2.5" mylar cone loudspeaker/microphone
- choice of 0, 1, or 2 vandal resistant long life switches
- switches are programmable for call request, program selection, or other functions
- stainless steel hardware and circuit board conformal coating provides protection in exterior versions
- compatible with all standard #6-32 mounting hardware allowing any type of security screw to be used
- single shielded twisted pair cabling for audio and all signalling including LED
- includes an internal preamplifier for superior audio quality
- optional LED indicator can be programmed for various status conditions (401-series only)
- depluggable MTA-100 connector eliminates wire stripping during servicing and installation



Specifications

Physical	2-gang 4.5" H x 4.5" W x 1.4" D (114 x 114 x 36 mm) Minimum backbox depth 1.75"
	3-gang 4.5" H x 6.4" W x 1.4" D (114 x 163 x 36 mm) Minimum backbox depth 1.75" 11 ga stainless steel
Faceplate	
Environmental	
Interior	32 to 122 °F (0 to 50 °C)
Exterior	-40 to 122 °F (-40 to 50 °C)
Storage Temperature	-40 to 158 °F (-40 to 70 °C)
Humidity	0 to 95 % non-condensing
Switch Lifetime	1 million operations
Loudspeaker	2.5" (64 mm) mylar cone
Loudspeaker Level	82 dB SPL at 1 m at 1 W
Field Connections	4 pin MTA-100 connector
Cabling	22 ga shielded twisted pair 2500 ft (750 m) maximum

Mechanical



Ordering Information (Standard)

Part number ICE-ABC-DEF-GHI

- A intercom series
 - 4 400 series (2 wire)
- B back box size
 - 2 2 gang
 - 3 3 gang
- C series compatibility
 - 0 400 series
 - 1 401 series
- D faceplate options
 - 2 11 gauge
 - 3 11 gauge - labeled "Call"
 - 4 11 gauge - labeled "Call" and "Program"
 - 5 11 gauge - labeled "Call" and "Door"
 - 6 11 gauge - labeled "Cancel"
- E environmental
 - 1 interior
 - 2 exterior
- F switch B options
 - 0 none
 - 2 cord jack*
 - 6 mini-piezo
 - 7 vandal resistant
 - 8 red mushroom
- G switch A options
 - 0 none
 - 6 mini-piezo
 - 7 vandal resistant
 - 8 red mushroom
- H LED options
 - 0 none
 - 1 LED
- I reserved
 - 0

Ordering Information (Custom)

Part number ICE-ABC-DEF-GHI

- A intercom series
 - 4 400 series
- B back box size
 - 2 2 gang
 - 3 3 gang
 - 9 custom
- C series compatibility
 - 0 400 series
 - 1 401 series
- DEF custom model identifier
 - CUS custom
- GHI identifier
 - 000-999 unique number assigned by factory

* call cord must be ordered separately

Document # DS-ICE-400-1.9 • Copyright © 2011 Harding Instrument Co. Ltd. • All Specifications subject to change without notice • Printed in Canada



9564 Yellowhead Trail NW Tel 780.462.7100
Edmonton, AB T5G 0W4 Fax 780.450.8396
sales@harding.ca www.harding.ca



Represented by: