



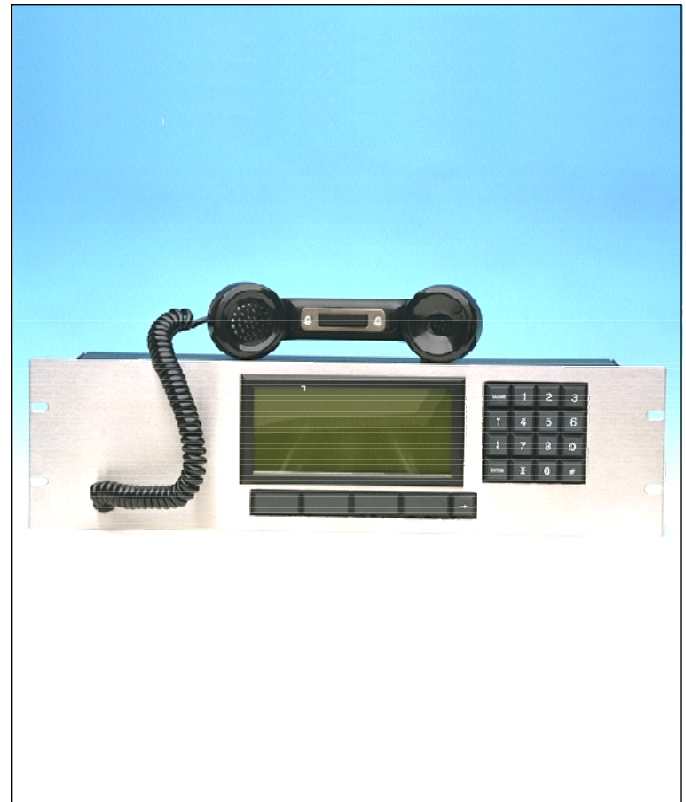
Description

The IMS-215 is the rack mount, large size display master station for use with DIO-2XX discrete I/O module. It provides the operator with audio communication, paging, and monitoring functions as well as alarm and event monitoring and control. Control panel audio functions permit the operator to receive and place calls, put calls on hold, make public address and station group call announcements, and manage system background music operations. Control functions include the ability to acknowledge, cancel, and reset incoming signals and to monitor, activate and deactivate output points.

Features

The IMS-215 delivers exceptional user features and high reliability:

- large character LCD display for ease of readability at long distances
- 4 line by 20 character alphanumeric LCD display
- scratch and impact resistant window protects display
- adjustable viewing angle on the LCD display
- adjustable back lighting for low ambient light conditions
- 4 software labeled menu keys for fast and simple user operation
- 5 dedicated function control keys
- 3 audio control keys
- standard 12 button telephone keypad
- optional internal speaker and microphone protected by plate baffle
- optional gooseneck microphone
- optional headset jack
- handset with five foot coiled cord includes a push to talk switch in the handle, and a rugged cradle assembly
- high impact handset
- internal signal buzzer
- input for external push to talk switch
- 2 programmable external contacts
- 2 LEDs indicate network status
- 3 LEDs indicate operating status
- can be connected or removed while the system is operating without disrupting the rest of the system
- internal fuse protects circuitry
- flash memory enables updating of the firmware over the network
- full functional test capabilities

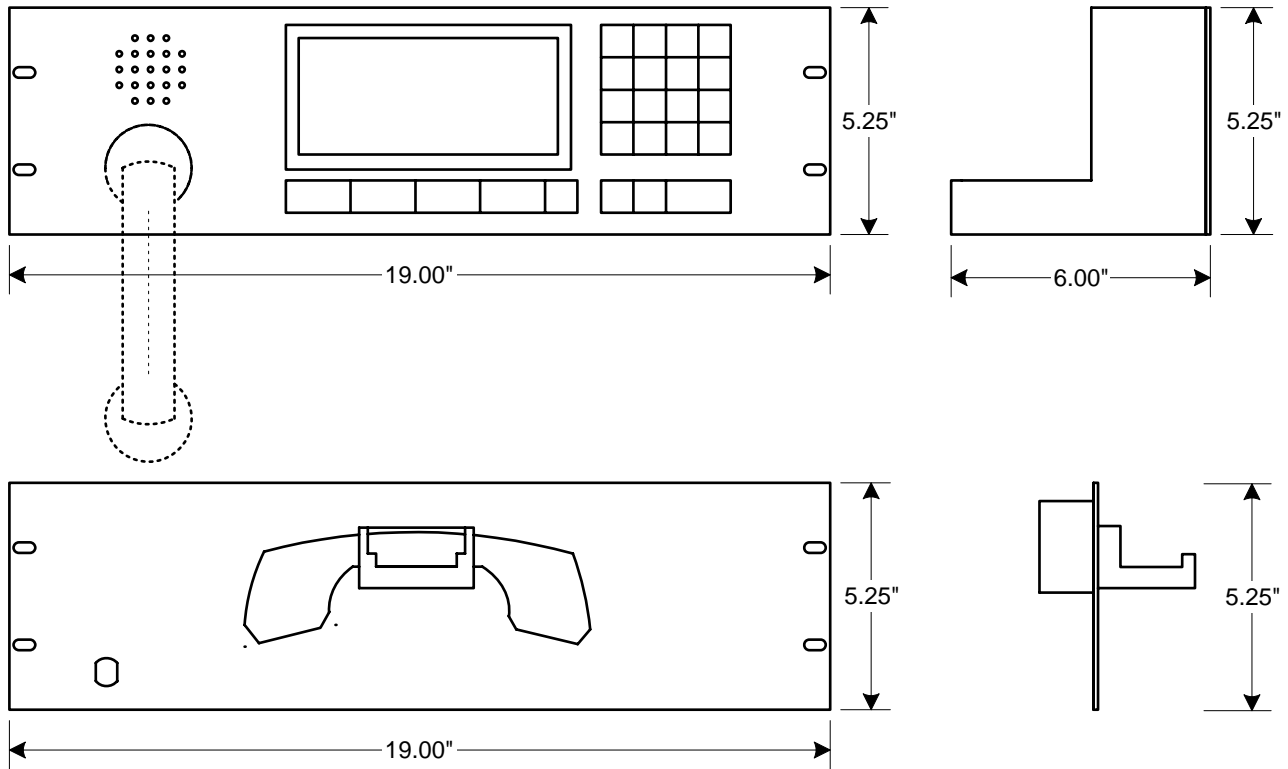


- self test functions can be operated from the SAC computer
- highly reliable key switches for long life
- rugged construction for harsh environments
- brushed stainless steel faceplates

Specifications

Physical	5.25" H x 19" W x 6" D (133 x 483 x 152 mm)
Display Size	2.3" H x 5.7" W (58 x 145 mm)
Character Size	0.39" H x 0.24" W (10 x 6 mm)
Key Switch Lifetime	10 million operations
Environmental	
Operating Temperature	32 to 122 °F (0 to 50 °C)
Storage Temperature	-4 to 158 °F (-20 to 70 °C)
Humidity	0 to 95 % non-condensing
Power Supply	12 Vdc ± 10% @ 2 A max or 24 Vdc +10% -40% @ 1.0 A
Field Connections	DB 25 connector
Cabling	
Audio	2 22 ga shielded twisted pair
Network	1* 22 ga unshielded twisted pair
Power	2* 22 ga pair max. 30 ft (9 m) at 12 Vdc max 375 ft (114 m) at 24 Vdc * Double for redundant wiring
Standards	FCC Part 15

Mechanical



Ordering Information

Part number IMS-215-ABC-DE

- A power supply options
 - 1 12 Volt
 - 2 24 Volt
- B speaker/microphone options
 - 0 none
 - 1 internal speaker and microphone
 - 2 internal speaker and gooseneck microphone
- C handset options
 - 0 none
 - 1 handset
 - 2 handset with PTT switch
- D handset mounting options
 - 0 none

- 1 remote mount
- 2 on IMS panel (vertical)
- E headset jack options
 - 0 none
 - 1 modular jack

Accessories

- Headset
- Foot Switch
- External Buzzer
- Rack mount horizontal handset

Document # DS-IMS-215-2.1 • Copyright © 1997 Harding Instruments • All specifications subject to change without notice. • Printed in Canada

HARDING
INSTRUMENTS

9431 41st Avenue Tel 780-462-7100
Edmonton, AB T6E 5X7 Fax 780-450-8396



Represented by: