



Description

The VBE-420 Visiting Booth Station is a handset with a hanger attached to a stainless steel faceplate that mounts on a 2-gang electrical box. A switch contact closes when the handset is removed from the cradle. These units are ruggedly constructed and include an armored handset cable with strain reliefs on each end. An optional volume control steps through 4 preset volume levels.

Features

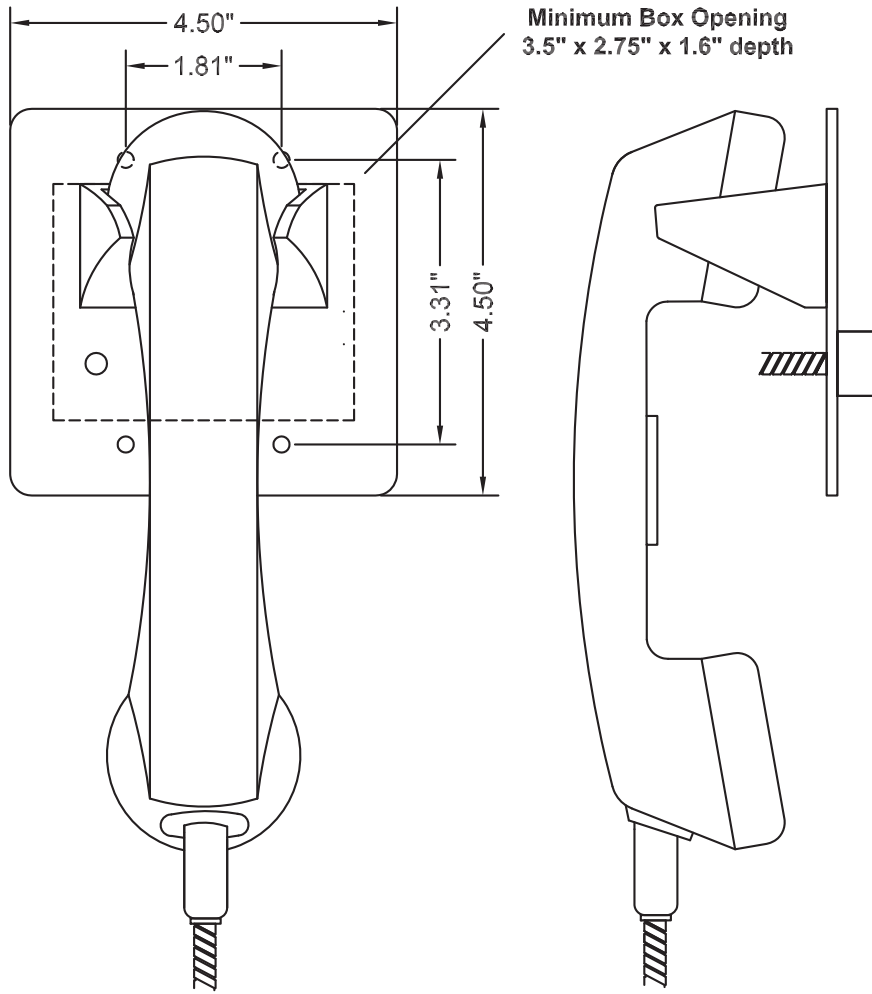
- full duplex audio channel
- optional volume control switch
- wire leads brought out in 6 inch pigtails
- 11 ga heavy-duty brushed stainless steel faceplate
- armored handset cable
- rugged cable strain reliefs
- rugged metal handset cradle
- impact resistant handset
- designed for mounting on standard 2 gang electrical boxes
- compatibility with all standard #6-32 mounting hardware allowing any type of security screw to be used



Specifications

Physical	4.5" H x 4.5" W x 1.6" D (114 x 114 x 41 mm)
Faceplate	
Heavy-duty	11 ga brushed stainless steel
Environmental	
Operating Temperature	32 to 122 °F (0 to 50 °C)
Storage Temperature	-40 to 158 °F (-40 to 70 °C)
Humidity	0 to 95 % non-condensing
Hookswitch Contacts	0.25 A switching (non-inductive) 1.00 A carry

Mechanical



Ordering Information

Part number VBE-420-AB

- A handset cable length
 - 2 20 in armored
 - 3 32 in armored
 - 4 48 in armored
 - 6 72 in armored (special order)
- B volume control
 - 0 no volume control
 - 1 volume control

Document # DS-VBE-420-1.3 • Copyright © 2011 Harding Instrument Co. Ltd. • All Specifications subject to change without notice • Printed in Canada



9564 Yellowhead Trail NW Tel 780.462.7100
Edmonton, AB T5G 0W4 Fax 780.450.8396
sales@harding.ca www.harding.ca



Represented by: