

## Description

The FxIP™ fire control network from Harding Instruments is a revolutionary IP-based fire control network consisting of a series of addressable control modules that can be distributed throughout any type of facility.

No central processing unit is required. Core modules connect to other core modules to form the fire protection system. With no single point of failure, distributed modules provide the greatest degree of scalability, survivability and building protection. True distributed architecture provides scalability and ensures reliable and timely response times.

Both distributed network systems and pre-configured central systems require the capability to accommodate common control or panel level functions.

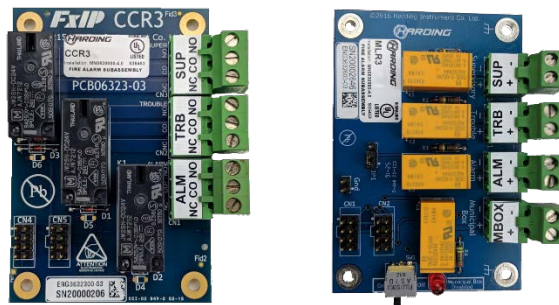
The FxIP™ panel-level common cards can connect to any display module located anywhere on the network.

The Common Control Relay Card (CCR3) provides for Common Alarm, Common Trouble and Common Supervisory relays (NO/CO/NC) activated by events anywhere on the fire control network. The three relays are rated at 5.0A @30 VDC Resistive load each.

The CCR3 can be mounted with any VPM3-IP or SDM3-IP installed on the network fire system by a simple ribbon cable connection. Multiple instances of the CCR3 may be installed as required on each display module installed on the network and up to two CCR3 boards may be daisy chained together off of any single network module. The CCR3 is mounted directly to the system chassis within the cabinet.

The Masterbox/Line Reversal card (MLR3) is also mounted with any display module installed on the network fire system by a simple ribbon cable connection. If present, the MLR3 may be daisy-chained directly off of the CCR3. The MLR3 is mounted directly to the system chassis within the cabinet.

FxIP™ network modules will continue to operate independently during communication loss. Since the CCR3 and MLR3 may be installed in multiple instances and located in distributed enclosures throughout the facility, redundant connections to outbound signaling systems such as dialing devices, digital transmitters or other notification systems add security to the installed system by adding redundant paths to external reporting agencies.



## Features

- Common cards can be connected to any FxIP™ display module (VPM3-IP/SDM3-IP)
- Common cards may be daisy chained up to two per networked display module
- Common Control card (CCR3) provides relays for Common Alarm, Common Trouble and Common Supervisory
- CCR3 relays NO/CO/NC, rated at 5A max @30VDC
- MLR3 Masterbox/Line Reversal Card
- Simple ribbon cable connection
- Drill disconnect switch
- Mounts directly onto cabinet chassis
- Green/RoHS Compliant

## Listing

UL Standard 864 10h Edition  
FCC Part 15 Class A Compliant

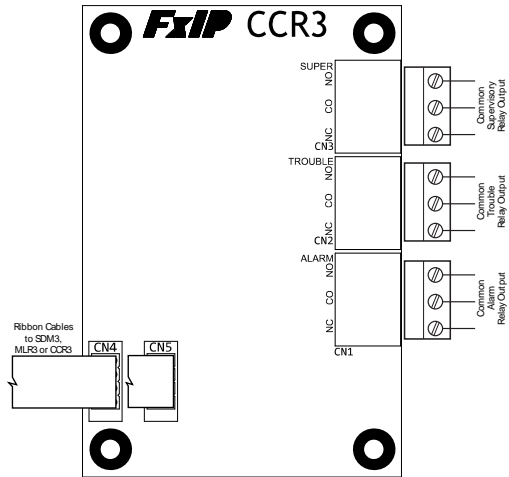
• Document # DS-CCR3/MLR3-95-1.0 • Copyright © 2020 Harding Instruments Co. Ltd • All Specifications are subject to change without notice • Printed in Canada



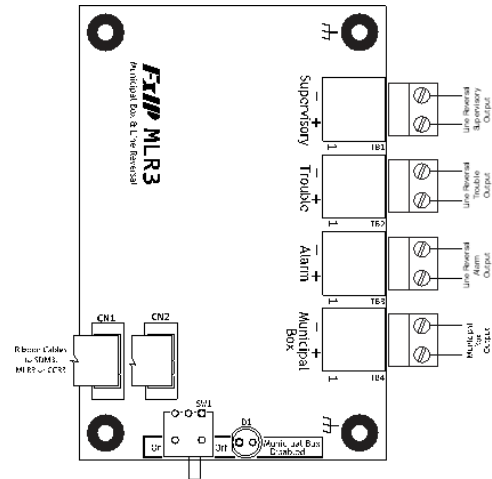
9564 Yellowhead Trail NW Tel 780.462.7100  
Edmonton, Alberta, T5G 0W4 Fax 780.450.8396  
[sales@harding-tech.com](mailto:sales@harding-tech.com) [www.harding-tech.com](http://www.harding-tech.com)



Represented by:



**Common Control Relay Card (CCR3)**



**Masterbox Line Reversal Card (MLR3)**

CN1	General Alarm Contact
CN2	General Trouble Contact
CN3	General Supervisory Contact
CN4, CN5	GCS Connectors

Component	Description
TB1	Supervisory Line Reversal
TB2	Trouble Line Reversal
TB3	Alarm Line Reversal
TB4	Municipal Box
JP1	MLR3 Configuration Jumper <sup>1</sup>
CN1-CN2	General Contact Slot IO (GCS) Connectors
SW1	Municipal Box Disable Switch
D1	Municipal Box Disabled LED

CN1	General Alarm Contact
CN2	General Trouble Contact
CN3	General Supervisory Contact
CN4, CN5	GCS Connectors

<sup>1</sup> JP1: PINS 1-2: Operate Normally  
PINS 2-3: Combines ALARM and TROUBLE conditions into one circuit

### Technical Data

**CCR3**

Quiescent Power Draw: 0 mA  
Alarm Power Draw: 69 mA

**MLR3**

Quiescent Power Draw: 0 mA  
Alarm Power Draw: 92 mA

### Ordering Information

Part Number	Description
CCR3	Common Control Relay Card
MLR3	Masterbox/Liner Reversal Card