



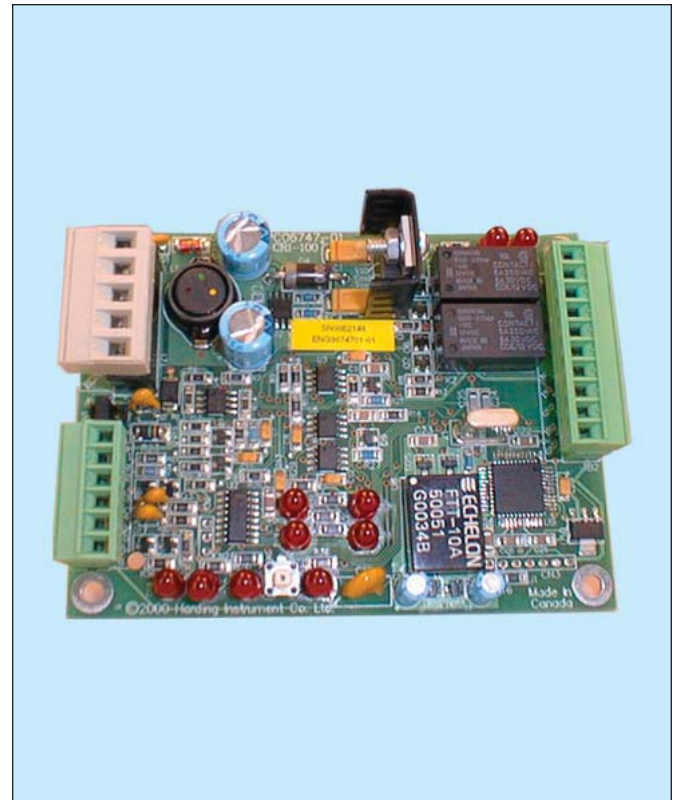
## CRI-100 Card Reader Interface

### Description

The CRI-100 Card Reader Interface allows a card reader with a standard Wiegand interface to be connected to a free topology LonWorks network. Card data received on the Wiegand interface is processed and made available to the LonWorks network. LonWorks messages received by the CRI can control the card reader LED and buzzer outputs. An expanded I/O version also adds two form C relay outputs and two supervised switch inputs to the CRI. These I/O points can be monitored and controlled from the LonWorks network

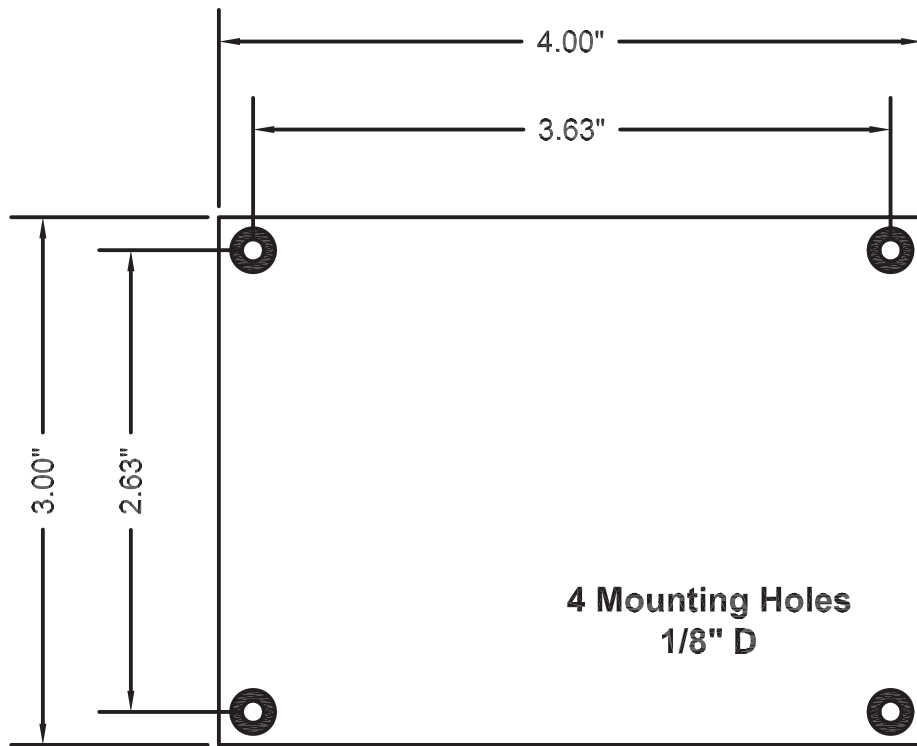
### Features

- small 3" by 4" (7.6 x 10.2 mm) printed circuit board
- can supply +24 Vdc, +12Vdc or 5 Vdc to the card reader
- depluggable screw terminal blocks for field connections
- FT-10 LonWorks compatible
- optional 2 C form relay outputs and 2 supervised switch inputs



### Specifications

Physical Form Factor	3" x 4" printed circuit board (7.6 x 10.2 mm)
Environmental	
Operating Temperature	32 to 122 °F (0 to 50 °C)
Storage Temperature	-40 to 158 °F (-40 to 70 °C)
Humidity	0 to 95 % non-condensing
Power Supply	+24 Vdc
Field Connections	depluggable screw terminals
Relay Outputs	form C, 125 Vac 2A max, 30 Vdc 2A max
Standards	FT-10 LonWorks FCC Part 15, UL, CSA



## Ordering Information

Part number CRI-100-A

A	I/O connections
0	none
1	2 form C relay outputs, and 2 supervised inputs

