



# MicroComm DXL

## ICE 620/630 Custom Series VoIP Intercom Privacy Stations

### Description

ICE-600 intercom stations are half-duplex VoIP intercoms that connect to a VoIP capable DXL system. These stations conform to the industry standard SIP protocol and are available with a wide range of standard features.

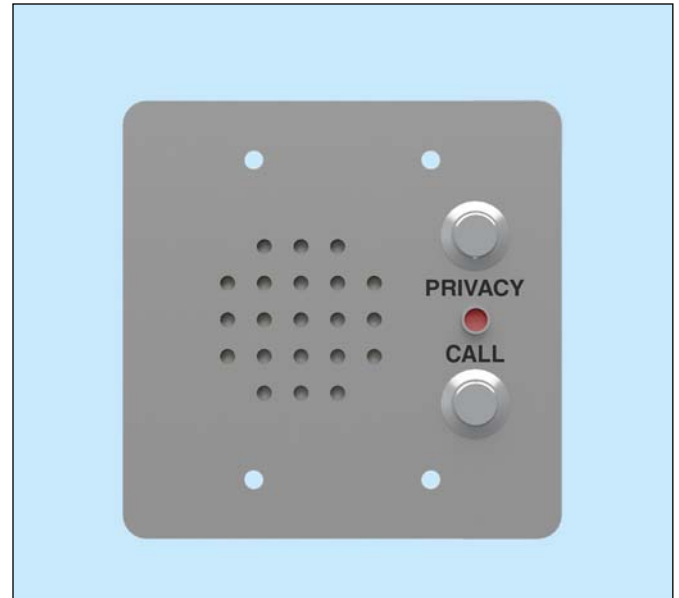
The Privacy Station consists of a status LED, a PRIVACY push button switch and CALL request push button switch. Client confidentiality is protected when PRIVACY is selected by disabling the microphone and speaker audio communication. The LED displays different flash patterns for each of the states in the PRIVACY mode. In the Privacy mode a request for an incoming call connection is indicated by a change in the LED pattern from solid on to a flash pattern.

A push button momentary switch is used to toggle between PRIVACY and NORMAL modes of operation. The flash patterns for the Privacy Station are as follows:

Operation	Condition	LED Pattern
Normal	All	OFF
Privacy	Idle	ON
Privacy	Incoming Call	FLASH (50% Duty @ 1 Hz)
Privacy	Call Request	N/A

### Features

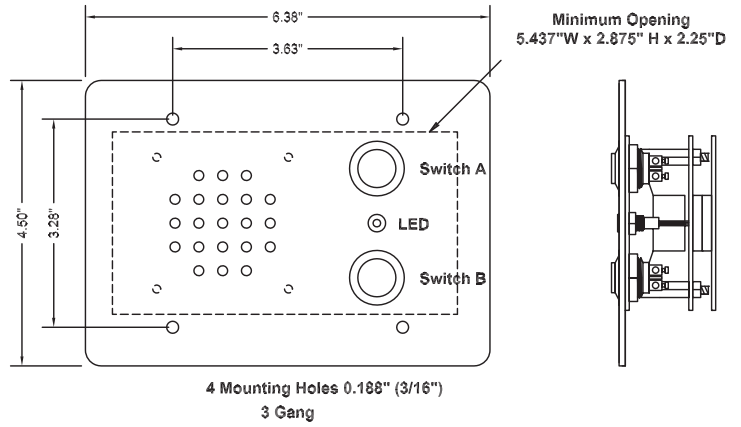
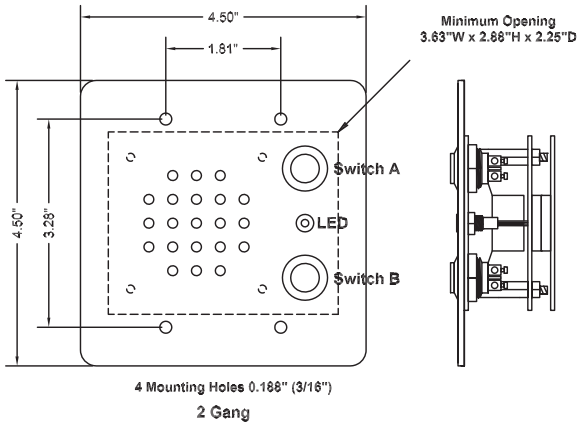
- half duplex audio channel to the intercom master
- steel offset grille baffle plate protects the speaker from physical damage
- 11 ga heavy-duty brushed stainless steel faceplate
- 2.5" mylar cone loudspeaker/microphone
- compatible with all standard #6-32 mounting hardware allowing any type of security screw to be used
- RJ-45 10/100 Base-T Ethernet connection
- Power over Ethernet (PoE)
- Auxiliary power input
- two unsupervised switch inputs
- contact output (SPST)
- line-level output



### Specifications

Physical	2-gang 4.5" H x 4.5" W x 1.8" D (114 x 114 x 46 mm) Minimum backbox depth 2.25"
	3-gang 4.5" H x 6.4" W x 1.8" D (114 x 163 x 46 mm) Minimum backbox depth 2.25"
Faceplate	11 ga stainless steel
Environmental	
Interior	32 to 122 °F (0 to 50 °C)
Storage Temperature	-40 to 158 °F (-40 to 70 °C)
Humidity	0 to 95 % non-condensing
Switch Lifetime	1 million operations
Loudspeaker	2.5" (64 mm) mylar cone
Loudspeaker Level	>82 dB SPL at 1 m (full power)
Field Connections	
Ethernet	RJ-45 jack
Switch Inputs	6-pin MTA-100 connector
Status Output	6-pin MTA-100 connector SPST (NO) Relay, 1A@30Vdc
Auxiliary power supply	2 pin MTA-100 connector
Line Level Output	2 pin MTA-100 connector
Cabling	Cat5/Cat5e/Cat6 320 ft (100m) max
Power Supply	
Auxiliary	22.8 Vdc - 37.8 Vdc, 150mA
Line (PoE)	IEEE 802.3 af compliant

# Mechanical



## Ordering Information (Standard)

Part number ICE-620-CUS-105 (2-gang)  
ICE-630-CUS-106 (3-gang)



Represented by: