

ICM-420 Intercom Station

Description

The ICM-420 is used with a DXI SAB-400 and SAB-401 station audio boards or the DXL SCC-400 and SCC-401 station control cards. It is suitable for use in high security areas and is designed for superb audio clarity in reverberant acoustic environments. The ICM-420 incorporates an integral loudspeaker/microphone, and circuitry for transmission of all station audio, power, and switch closures over a single shielded pair cable for reduced installation costs. The ICM-420 mounts in a standard two-gang electrical box.

Features

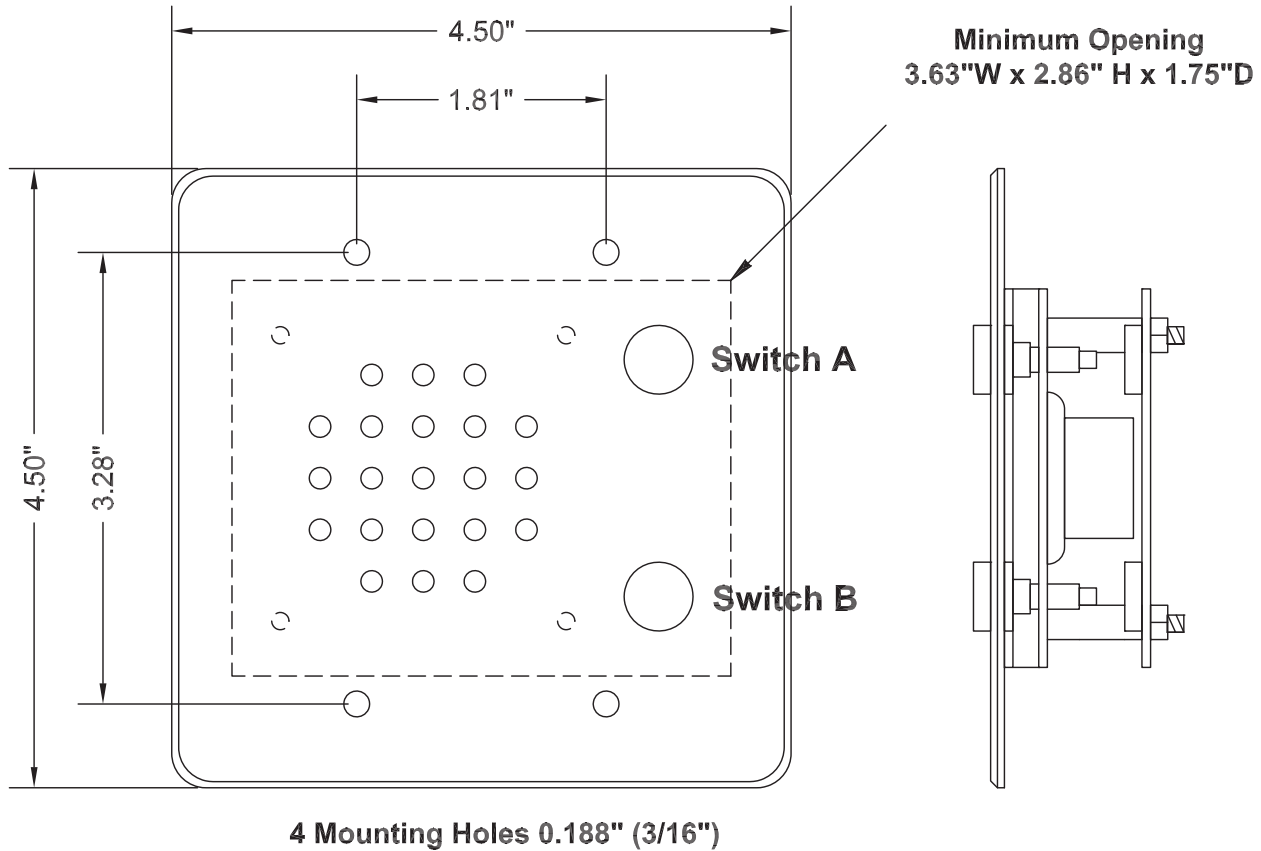
- internal termination circuitry for line fault supervision to detect open and short circuit wiring faults
- half duplex audio channel to the intercom exchange
- internal preamplifier for superior audio sensitivity
- switches are programmable for call request, program selection, or other functions
- steel offset grille baffle plate protects the speaker from physical damage
- 11 ga heavy-duty brushed stainless steel faceplate with camfired edges
- conformal coating protects all electronic components from moisture in weather resistant version
- stainless steel hardware and baffle plate in weather resistant versions
- 2.5" mylar cone speaker
- choice of 0, 1, or 2 vandal resistant long life switches
- can be ordered with optional large mushroom pushbutton switch (1.3" diameter)
- available without internal speaker for remote speaker mounting
- single shielded twisted pair 22 ga cabling for audio, and switch closures
- no connection to shield drain wire at the intercom station
- 4 terminal depluggable MTA100 series connector eliminates wire stripping during servicing and installation
- mounts on standard 2 gang electrical box
- compatible with all standard #6-32 mounting hardware allowing any type of security screw to be used



Specifications

Physical	4.5" H x 4.5" W x 1.75" D (114 x 114 x 45 mm)
Faceplate	
Heavy-duty	11 ga brushed stainless steel
Environmental	
Operating Temperature	32 to 122 °F (0 to 50 °C)
Weather Resistant Intercom	-40 to 122 °F (-40 to 50 °C)
Storage Temperature	-40 to 158 °F (-40 to 70 °C)
Humidity	0 to 95 % non-condensing
Field Connections	4 pin MTA100 connector
Cabling	22 ga shielded twisted pair 2500 ft (750 m) maximum length
Switch Lifetime	1 million operations
Speaker	2.5" (64 mm) mylar cone
Speaker Level	82 dB SPL at 1 m at 1 W
Microphone Level	10 mV at 74 dB SPL

Mechanical



Ordering Information

Part number ICM-420-ABC-DEF

- | | |
|--|---|
| <p>A faceplate options</p> <ul style="list-style-type: none"> 1 14 gauge (no longer available) 2 11 gauge 3 11 gauge - labeled "Call" 4 11 gauge - labeled "Call" & "Program" 5 11 gauge - labeled "Call" & "Door" <p>B weather resistant options</p> <ul style="list-style-type: none"> 1 standard (interior) 2 weather resistant (exterior) <p>C switch B options</p> <ul style="list-style-type: none"> 0 none 1 standard 2 cord jack* 4 none with header 5 standard with header 6 mini-piezo 7 anti vandal 8 red mushroom button | <p>D switch A options</p> <ul style="list-style-type: none"> 0 none 1 standard 4 none with header 5 standard with header 6 mini-piezo 7 anti vandal <p>E Options</p> <ul style="list-style-type: none"> 0 none <p>F internal speaker options</p> <ul style="list-style-type: none"> 1 mylar cone |
|--|---|

* pushbutton call cord must be ordered separately



Represented by: