

SPA-120 Station Port Adapter

Description

The SPA-120 Station Port Adapter is used with MicroComm DXI and DXL intercom systems to connect an audio pair from a 300 or 400 series station card and convert it to a line level output signal. The line level output signal can then be used to drive a paging amplifier. An isolated open drain output is provided for use with 400 series station cards.

Features

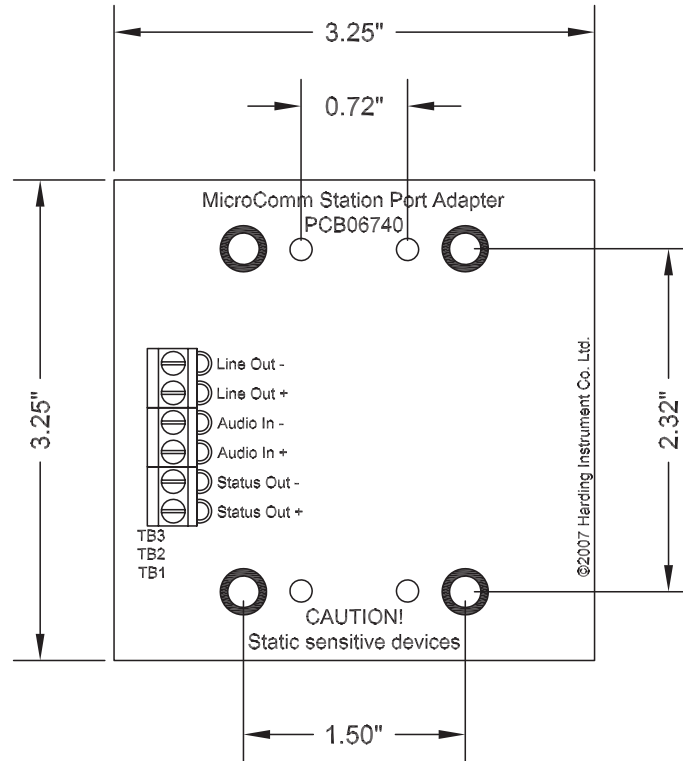
- SPA-120 provides line level outputs for use with external paging amplifiers
- designed to be backboard mounted, fit into standard 3.25 inch snap in track or mounted on a Din-rail
- screw terminal connections
- open drain output transistor can be used to key amplifier circuit for 400 series station cards
- output transistor isolated from driving circuitry



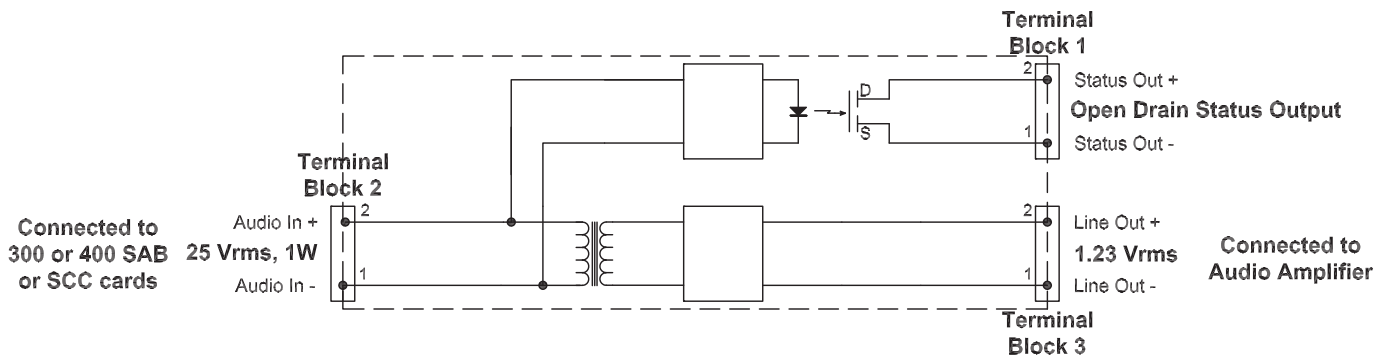
Specifications

Physical Form Factor	3.25" x 3.25" 0.75" (8.3 mm x 8.3 mm x 2.0 mm)
Environmental	
Operating Temperature	-40 to 160 °F (-40 to +60 °C)
Storage Temperature	-67 to 185 °F (-55 to 85 °C)
Relative Humidity	0 to 95% non-condensing
Field Connections	
Audio input	screw clamp terminals
Line level output	screw clamp terminals
Audio Signal Levels for SPA-120-0	
Audio Input	25Vrms, 1 watt
Line level output	+4dBu (1.23Vrms) output resistance < 50 Ohms
Staus Output	
Open drain	300mW max dissipation
Power supply connection	3.3 to 24 V external supply (for use with 400 series cards only)

Mechanical



Block Diagram



Ordering Information

SPA-120



9564 Yellowhead Trail NW Tel 780.462.7100
 Edmonton, AB T5G 0W4 Fax 780.450.8396
 sales@harding.ca www.harding.ca



Represented by: